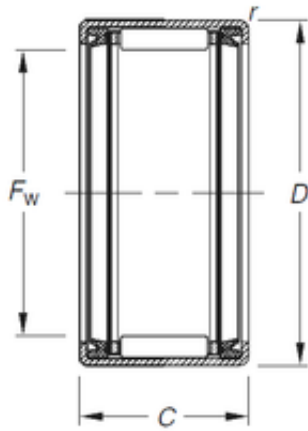




## TIF bearing co.,ltd

### Timken HK3520.2RS needle roller bearings



Bearing No. HK3520.2RS

Size	35x42x20 mm
Bore Diameter	35 mm
Outer Diameter	42 mm
Width	20 mm
Fw	35 mm
D	42 mm
C	20 mm
r	1 mm
Weight	0,044 Kg
Basic dynamic load rating (C)	17,4 kN
Basic static load rating (C0)	29,9 kN

HK3520.2RS Bearing 2D drawings and 3D CAD models