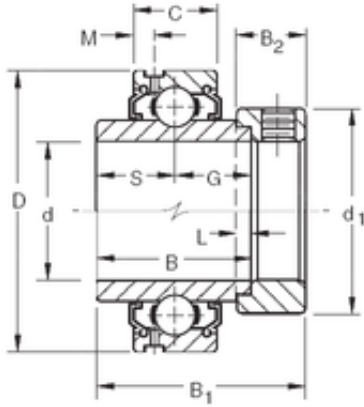




# TIF bearing co.,ltd

## Timken G1200KLL deep groove ball bearings



Bearing No. G1200KLL

Size	50.8x100x55.56 mm
Bore Diameter	50,8 mm
Outer Diameter	100 mm
Width	55,56 mm
d	50,8 mm
D	100 mm
B	55,56 mm
C	24 mm
d1	76,2 mm
B1	71,4 mm
B2	20,6 mm
G	27,8 mm
L	4,8 mm
M	5 mm
S	27,8 mm
Weight	1,593 Kg
Basic dynamic load rating (C)	48 kN

G1200KLL Bearing 2D drawings and 3D CAD models