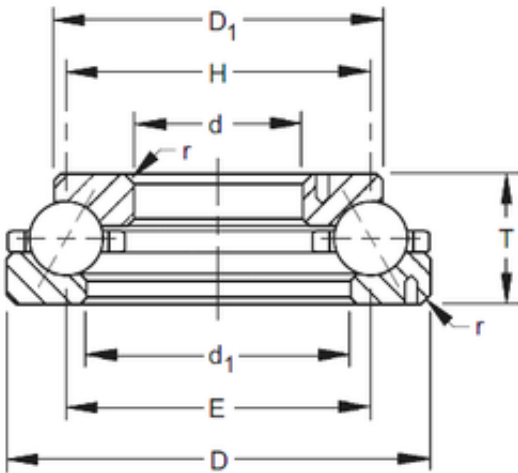




TIF bearing co.,ltd

Timken 410TVL718 angular contact ball bearings

Bearing No. 410TVL718



410TVL718 Bearing 2D drawings and 3D CAD models

Size	1041.4x1260.475x127 mm
Bore Diameter	1041,4 mm
Outer Diameter	1260,475 mm
Width	127 mm
d	1041,4 mm
D	1260,475 mm
T	127 mm
d1	1112,84 mm
D1	1189,04 mm
E	1150,9 mm
H	1150,9 mm