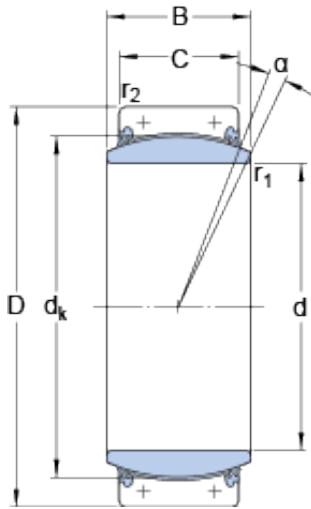




## TIF bearing co.,ltd

### SKF GEC 560 TXA-2RS plain bearings

Bearing No. GEC 560 TXA-2RS



GEC 560 TXA-2RS Bearing 2D drawings and 3D CAD models

Size	750x560x258 mm
Bore Diameter	750 mm
Outer Diameter	560 mm
Width	258 mm
d	560 mm
D	750 mm
B	258 mm
C	215 mm
	3 °
d <sub>k</sub>	655 mm
r <sub>1</sub> - min.	2 mm
r <sub>2</sub> - min.	5 mm
d <sub>a</sub> - min.	585 mm
d <sub>a</sub> - max.	602 mm
D <sub>a</sub> - min.	648 mm
D <sub>a</sub> - max.	711 mm
r <sub>a</sub> - max.	2 mm
r <sub>b</sub> - max.	5 mm
Basic dynamic load rating - C	38000 kN
Basic static load rating - C <sub>0</sub>	63000 kN
Specific factor dynamic load - K	300 N/mm <sup>2</sup>
Specific factor static load - K <sub>0</sub>	500 N/mm <sup>2</sup>
Lubricant	Maintenance free – dry lubrication



## TIF bearing co.,ltd

Design (sliding contact surface combination)	Steel/PTFE fabric
Sealing solution	Double-lip seals
	3 °
$d_k$	655 mm
$r_1$ min.	2 mm
$r_2$ min.	5 mm
$d_a$ min.	585 mm
$d_a$ max.	602 mm
$D_a$ min.	648 mm
$D_a$ max.	711 mm
$r_a$ max.	2 mm
$r_b$ max.	5 mm
Basic dynamic load rating C	38000 kN
Basic static load rating $C_0$	63000 kN
Specific dynamic load factor K	300 N/mm <sup>2</sup>
Specific static load factor $K_0$	500 N/mm <sup>2</sup>
Mass plain bearing	337 kg