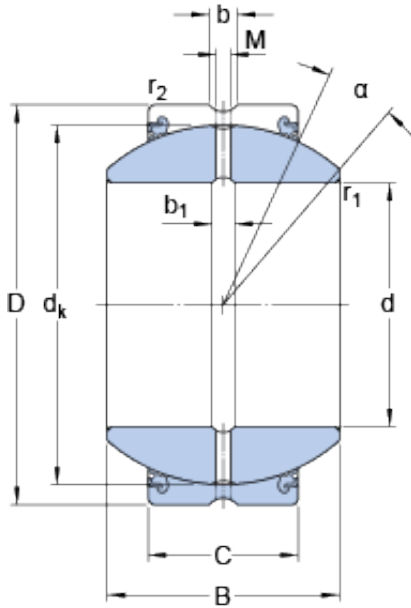




# TIF bearing co.,ltd

## SKF GEH 80 ES-2LS plain bearings

Bearing No. GEH 80 ES-2LS



GEH 80 ES-2LS Bearing 2D drawings and 3D CAD models

Size	130x80x75 mm
Bore Diameter	130 mm
Outer Diameter	80 mm
Width	75 mm
d	80 mm
D	130 mm
B	75 mm
C	50 mm
	14 °
d <sub>k</sub>	115 mm
b	9.5 mm
b <sub>1</sub>	9.5 mm
M	5 mm
r <sub>1</sub> - min.	1 mm
r <sub>2</sub> - min.	1 mm
d <sub>a</sub> - min.	87.2 mm
d <sub>a</sub> - max.	87.2 mm
D <sub>a</sub> - min.	112.9 mm
D <sub>a</sub> - max.	123.5 mm
r <sub>a</sub> - max.	1 mm
r <sub>b</sub> - max.	1 mm
Basic dynamic load rating - C	490 kN
Basic static load rating - C <sub>0</sub>	2450 kN
Specific factor dinamic load - K	100 N/mm <sup>2</sup>



## TIF bearing co.,ltd

Specific factor static load - $K_0$	500 N/mm <sup>2</sup>
Constant - $K_M$	330
Category	Bearings
Inventory	0.0
Manufacturer Name	SKF
Minimum Buy Quantity	N/A
UNSPSC	31171515
Weight / Kilogram	0
EAN	7316571782478
Product Group	B04264
Lubricant	Regular relubrication – grease
Design (sliding contact surface combination)	Steel/steel
Sealing solution	Triple-lip seals
	14 °
$d_k$	115 mm
$b_1$	9.5 mm
$r_1$ min.	1 mm
$r_2$ min.	1 mm
$d_a$ min.	87.2 mm
$d_a$ max.	87.2 mm
$D_a$ min.	112.9 mm
$D_a$ max.	123.5 mm
$r_a$ max.	1 mm
$r_b$ max.	1 mm
Basic dynamic load rating C	490 kN
Basic static load rating $C_0$	2450 kN
Specific dynamic load factor K	100 N/mm <sup>2</sup>
Specific static load factor $K_0$	500 N/mm <sup>2</sup>
Material constant $K_M$	330



## TIF bearing co.,ltd

Mass plain bearing	4.1 kg
--------------------	--------