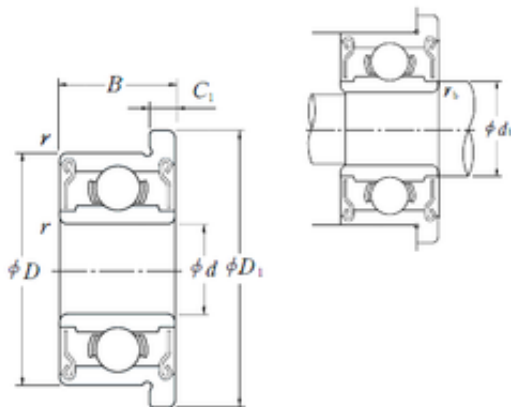




# TIF bearing co.,ltd



## NSK F636DD deep groove ball bearings

Bearing No. F636DD

Size	6x25x7 mm
Bore Diameter	6 mm
Outer Diameter	25 mm
Width	7 mm
d	6 mm
D	22 mm
D1	25 mm
B	7 mm
r min.	0,3 mm
C1	1,5 mm
db max.	10,5 mm
rb max.	0,3 mm
Weight	14,7 Kg
Basic dynamic load rating (C)	3300 kN
Basic static load rating (C0)	1370 kN
SRI	2.04
hidYobi	F636DD
LangID	1
D_	22
SREX	0.03
C	3.3
B_	7
hidTable	ecat_NSESBMF
C0r	140
SRE	2.22
rb	0.3

F636DD Bearing 2D drawings and 3D CAD models



## TIF bearing co.,ltd

mass	14.7
GRS rpm	28000
SRIX	0.015
Cr	335
SRIN	-0.015
C_1	1.5
C0	1.37
C2	1.5
fo	12.424
SREN	0
D_1	25
DE_	18.969
Prod_Type3	ESM_MD_WF_DD
db	10.5
DA_	3.969
Z_	7
yobi	F636DD
SDM_	15
KBRG	619
D2	25
r1	0.3
DI_	11.031
B1	7