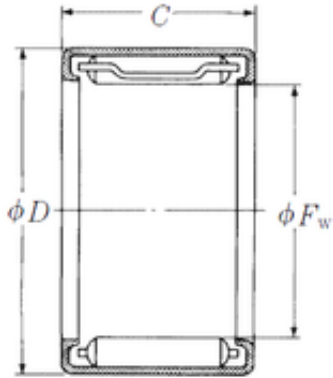




TIF bearing co.,ltd

NSK FJ-69 needle roller bearings



Bearing No. FJ-69

Size	6x10x9 mm
Bore Diameter	6 mm
Outer Diameter	10 mm
Width	9 mm
Fw	6 mm
D	10 mm
C	9 mm
Weight	0,0022 Kg
Basic dynamic load rating (C)	2,32 kN
(Grease) Lubrication Speed	36000 r/min
NB-DI	0
NA-DEX	8.701
hidYobi	FJ-69
LangID	1
D_	10
NC-SLR	5.21
B_	9
hidTable	ecat_NSDCNR
mass_k	2.2
GRS rpm	36000
NC-SLR1	0
C0	2.08
C1	9
Prod_Type3	NRB_DC_FJ-MFJ_WC_OT
d	6

FJ-69 Bearing 2D drawings and 3D CAD models



TIF bearing co.,ltd

NC-RAC	0
Pmax	985
N-SDM	0
yobi	FJ-69
C1_C2	0.8
ND-Z	9
OIL rpm	56000
NC-DA	1.344
N-KBRG	8201
NC-KMS	9