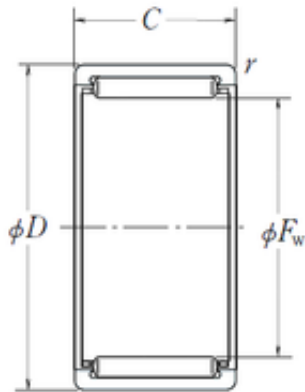




TIF bearing co.,ltd

NSK RLM172425 needle roller bearings



Bearing No. RLM172425

Size	17x24x25 mm
Bore Diameter	17 mm
Outer Diameter	24 mm
Width	25 mm
Fw	17 mm
D	24 mm
C	25 mm
r min.	0,5 mm
Weight	0,03 Kg
Basic dynamic load rating (C)	18,2 kN
Basic static load rating (C0)	25,3 kN
(Grease) Lubrication Speed	13000 r/min
hidYobi	RLM172425
LangID	1
D_	24
B_	25
hidTable	ecat_NSMRNR
GRS rpm	13000
ra	0.5
C0	25.3
C1_	25
DE_	22
SLR	19.8
Prod_Type3	NRB_S_RLM
d	17
DA_	2.5

RLM172425 Bearing 2D drawings and 3D CAD models



TIF bearing co.,ltd

Z_	14
SI	0
yobi	RLM172425
da_max	20
OIL rpm	20000
SDM_	19.5
r	0.5
KBRG	8312
mass1	0.03